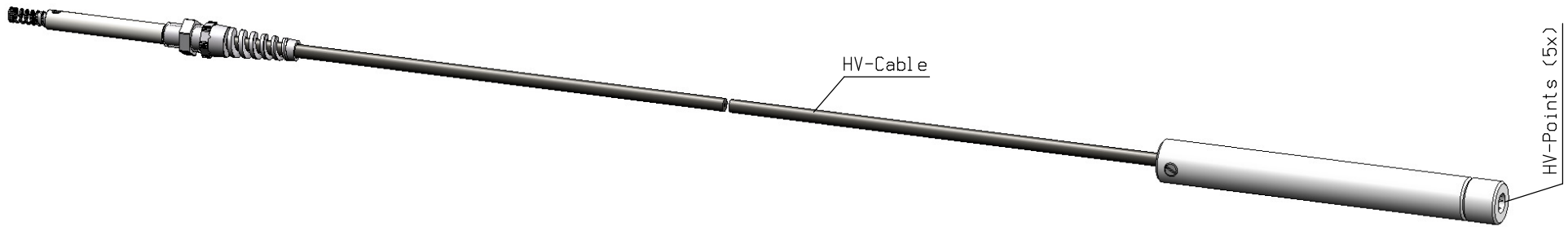
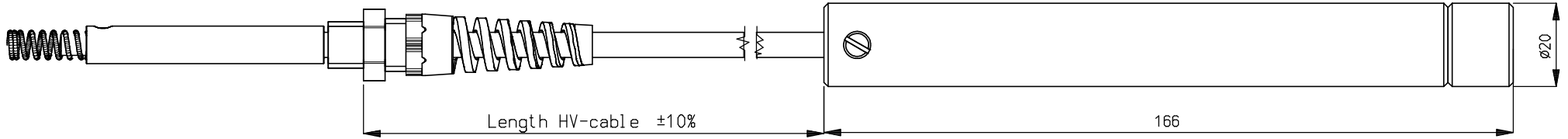
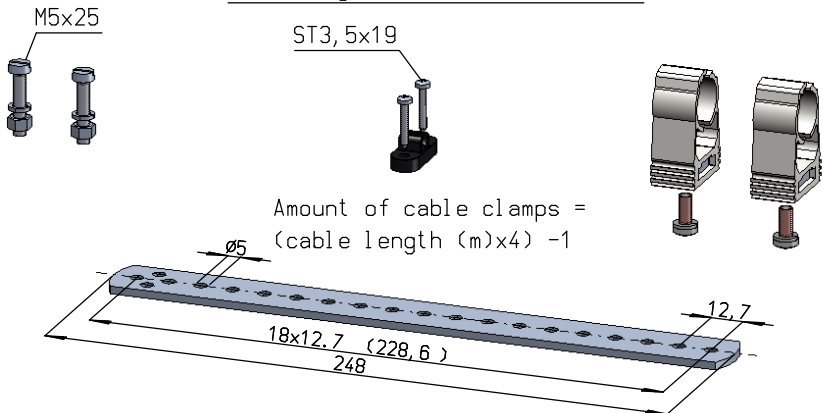


Length HV-cable 3 meters item no. 0927053003  
 Length HV-cable 6 meters item no. 0927053006  
 Length HV-cable 9 meters item no. 0927053009



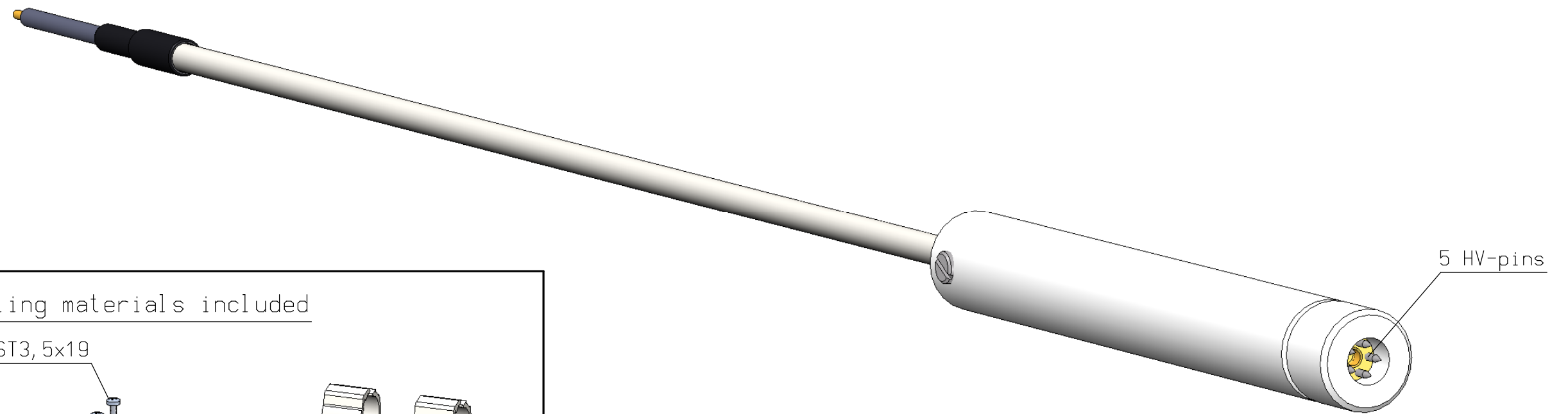
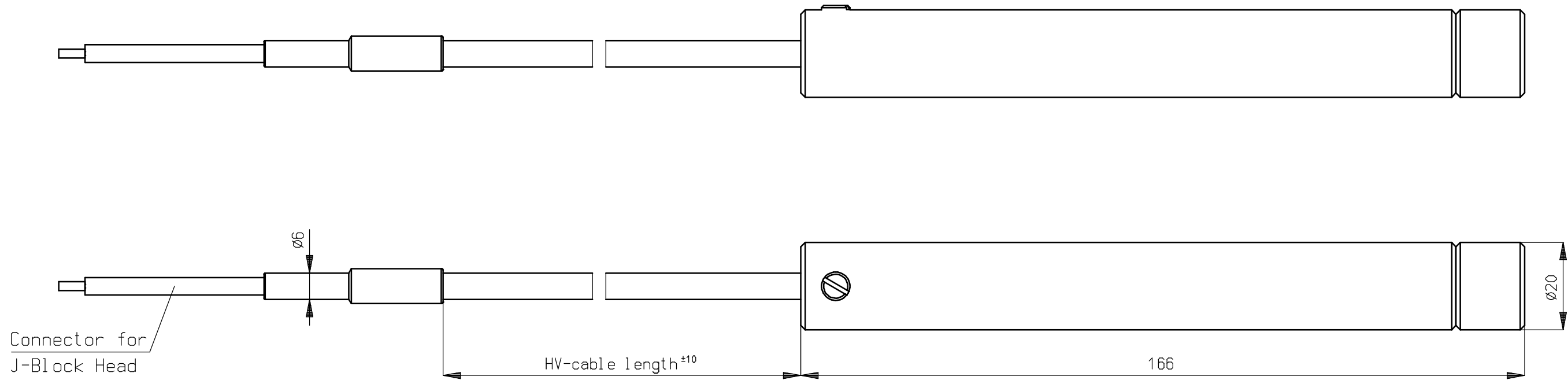
3D View 1:2

Mounting materials included

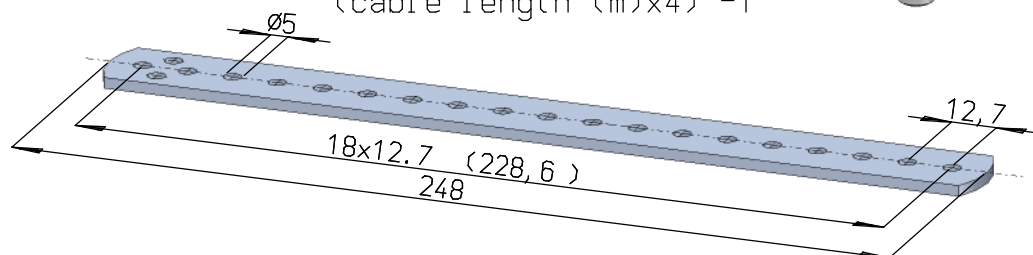
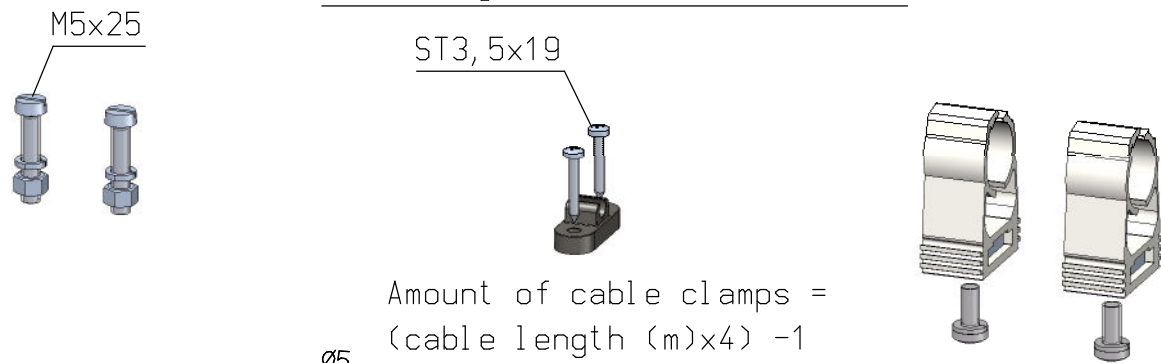


Supply voltage max. 30 kV DC

<b>SIMCO ION</b> An ITW Company www.simco-ion.nl Tel: +31 (0)573 288333		Name: <b>Charging electrode Pinner 5-point</b>			Drawn: MVN	Part no.: —
CAD generated NOT updated	Dimensions in mm	Date: 28-1-1997	A3 M: 1:1	ECN 2012-031	Check: -	Dwg. no.: <b>09270051/G</b>



Mounting materials included



Supply voltage max. 20 kV DC

 An ITW Company	Name: Pinner 5-Point-JBH (connector for K-Block Head)					Drawn: AB	Part no.: -
	CAD generated NOT updated	Dimensions in mm	Date: 27-8-2015	A3	M: -	ECN-	Check: -