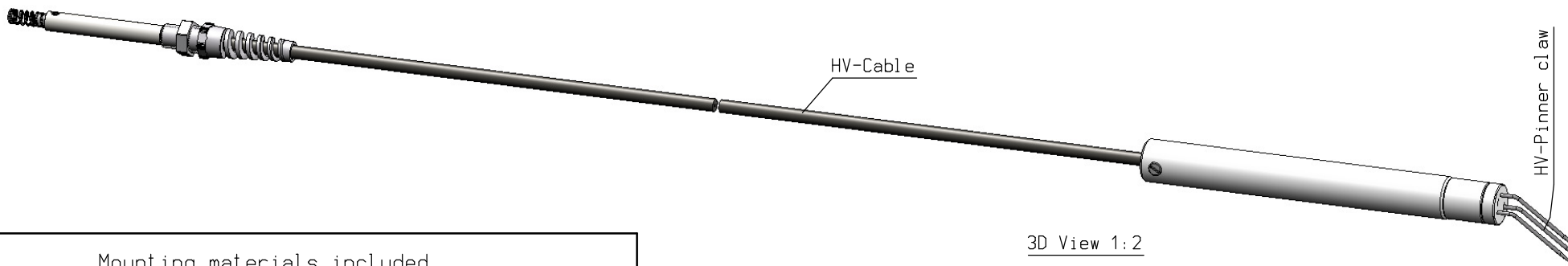
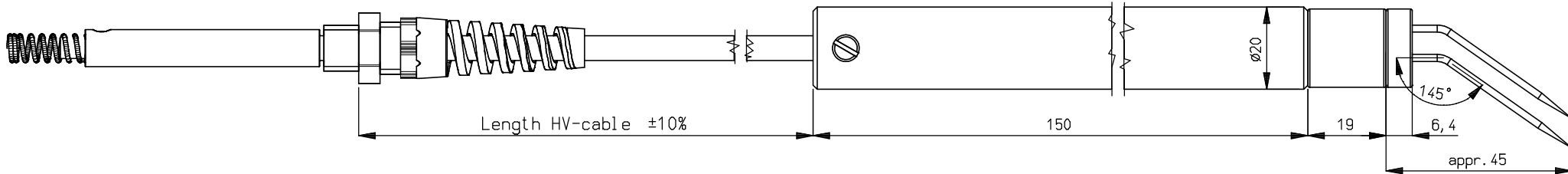
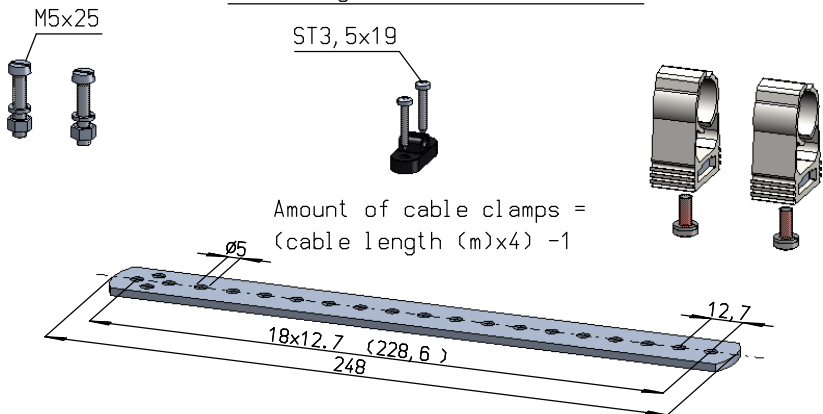


Length HV-cable 3 meters item no. 0927063003
 Length HV-cable 6 meters item no. 0927063006

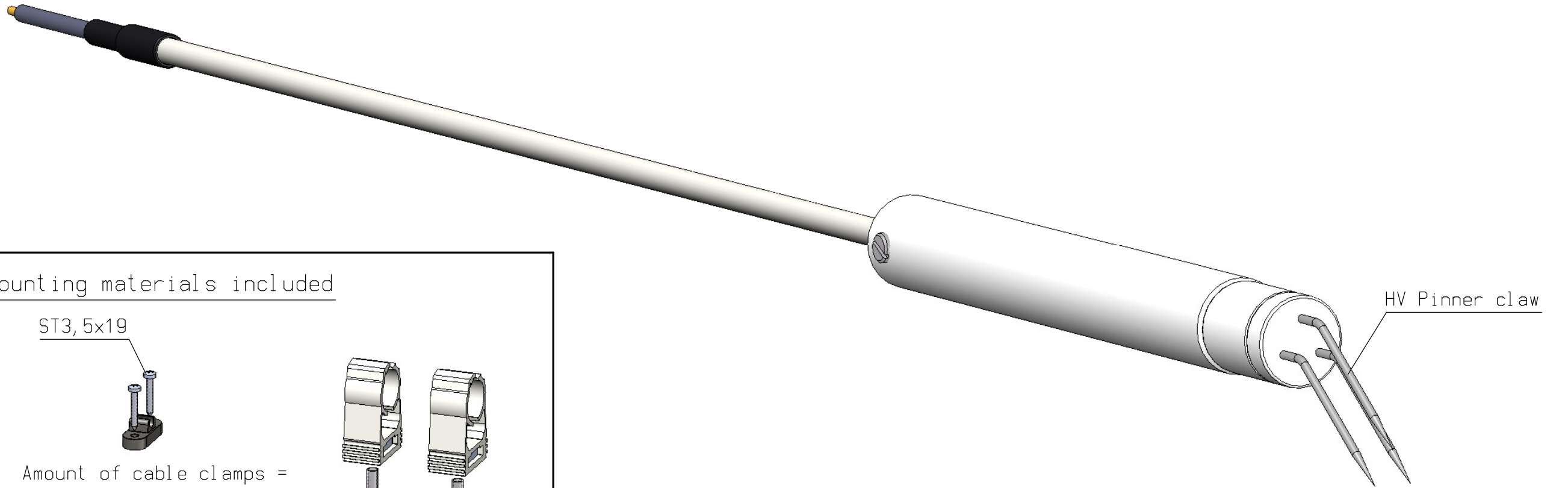
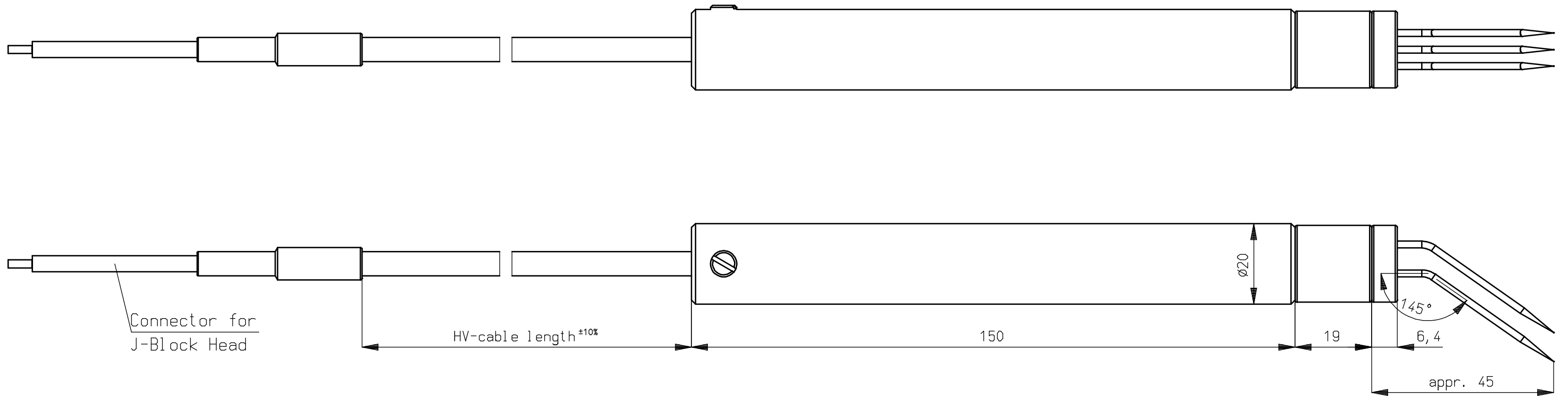


Mounting materials included

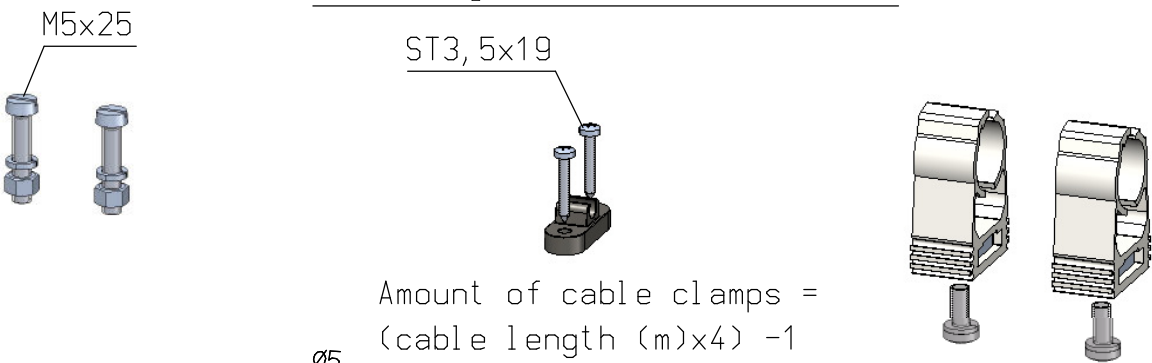


Supply voltage max. 30 kV DC

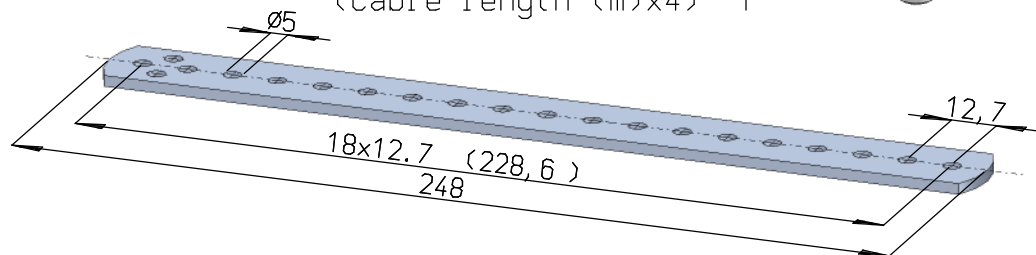
SIMCO ION An ITW Company www.simco-ion.nl Tel: +31 (0)573 288333		Name: Charging electrode Pinner Claw			Drawn: MVN	Part no.: —
CAD generated NOT updated	Dimensions in mm	Date: 07-05-1999	A3 M: 1:1	ECN 2012-031	Check: -	Dwg. no.: 09270061/G



Mounting materials included



Amount of cable clamps = (cable length (m) x 4) - 1



Supply voltage max. 20 kV DC

SIMCO ION An ITW Company		Name: Pinner Claw-JBH (connector for J-Block Head)				Drawn: AB	Part no.: -
www.simco-ion.nl	Tel: +31 (0)573 288333	CAD generated NOT updated	Dimensions in mm	Date: 27-8-2015	A3 M: -	ECN-	Check: -
						Dwg. no.: 09270660	