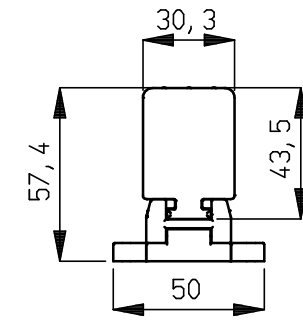
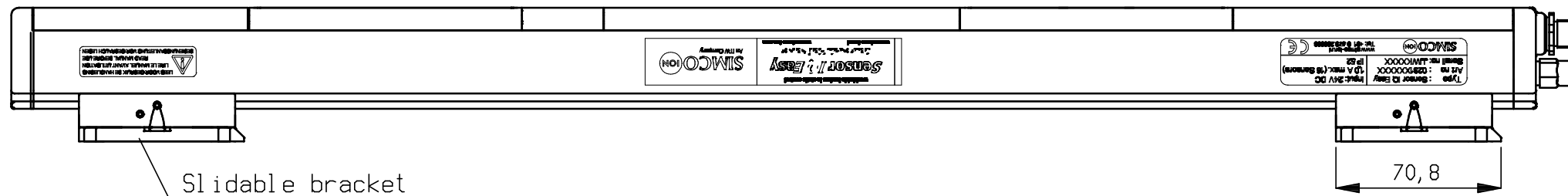
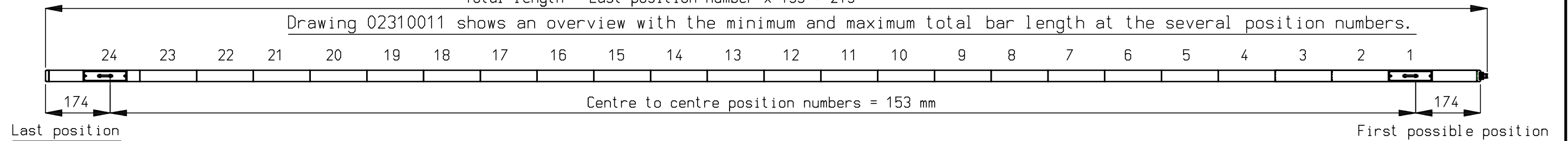


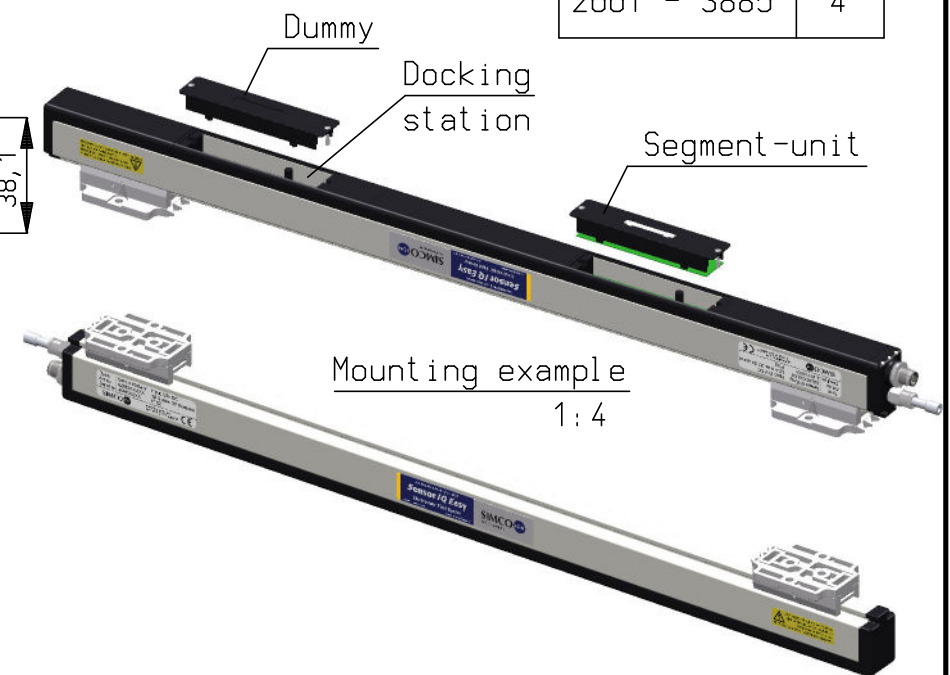
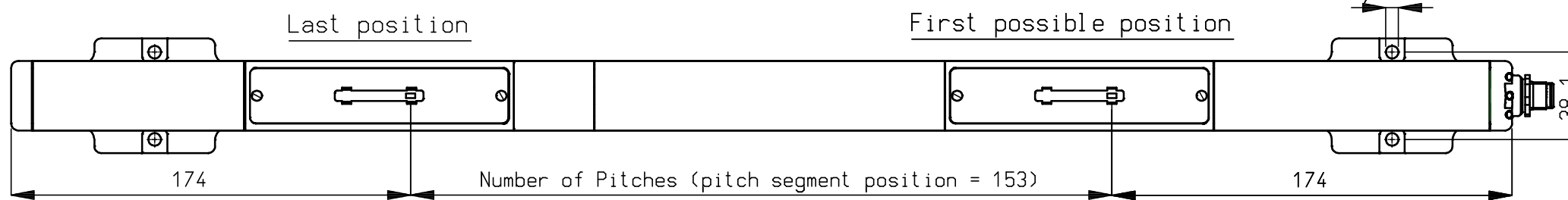
Top View 1:10

Total length = Last position number x 153 + 213

Drawing 02310011 shows an overview with the minimum and maximum total bar length at the several position numbers.

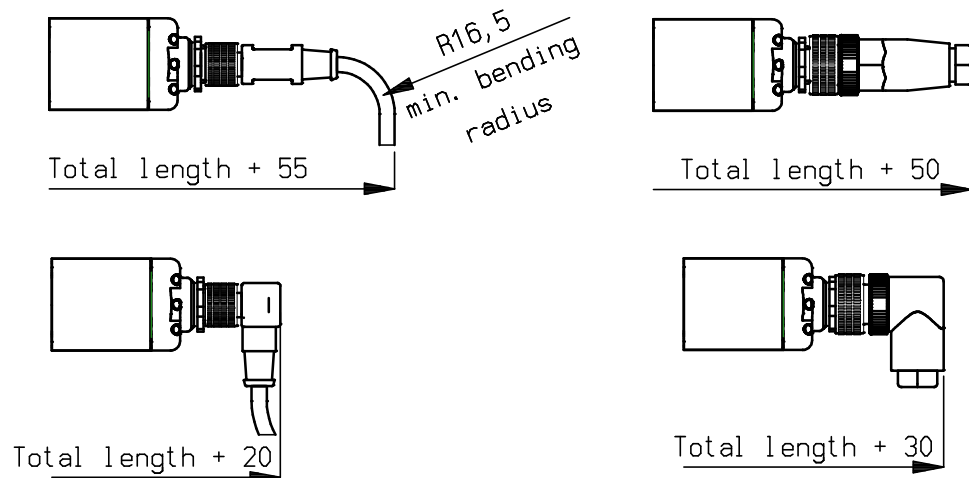


| Brackets    |     |
|-------------|-----|
| Tot. length | QTY |
| 366 - 1437  | 2   |
| 1590 - 2508 | 3   |
| 2661 - 3885 | 4   |



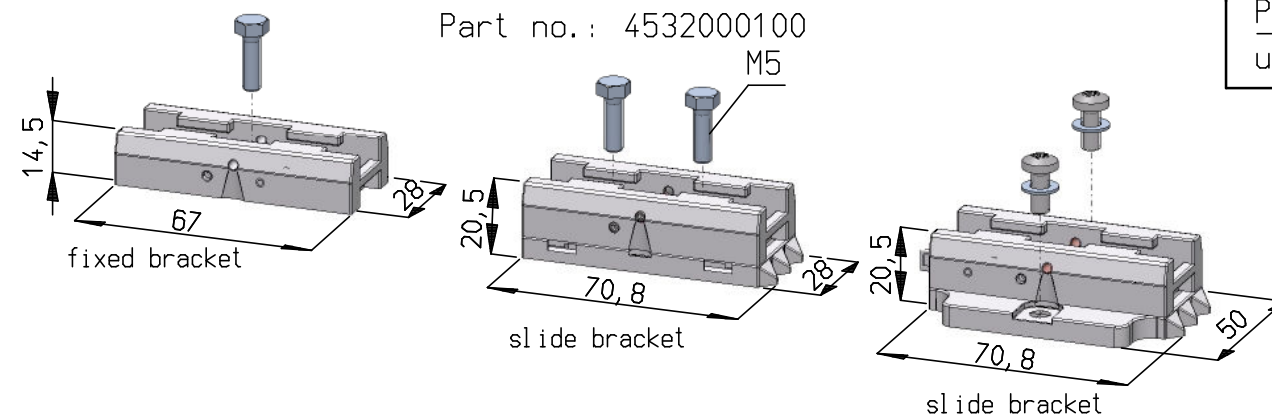
When ordering: 1st. Specify the total length. Minimum 366 mm, maximum 3885 mm  
 2nd. Specify the required position number(s) for docking-station(s).  
 See also drawing 02310011  
 Maximum amount of docking-stations: 16  
 3rd. Specify the required position number(s) for segment-unit(s).  
 If not specified: segment-unit at each docking-station.

Optional connectors

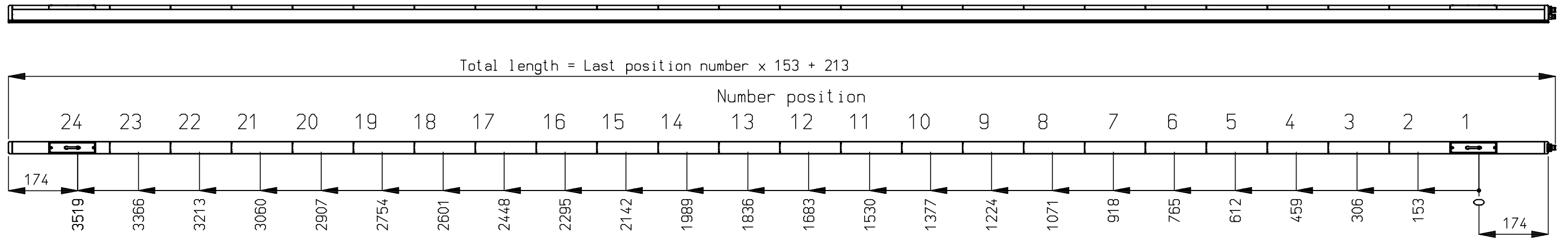


Mounting bracket Bars - options

Part no.: 4532000100



Plug 9290030006  
 unused fitting



| Position Number | Total length |
|-----------------|--------------|
| 1               | 366          |
| 2               | 519          |
| 3               | 672          |
| 4               | 825          |
| 5               | 978          |

| Position Number | Total length |
|-----------------|--------------|
| 6               | 1131         |
| 7               | 1284         |
| 8               | 1437         |
| 9               | 1590         |
| 10              | 1743         |

| Position Number | Total length |
|-----------------|--------------|
| 11              | 1896         |
| 12              | 2049         |
| 13              | 2202         |
| 14              | 2355         |
| 15              | 2508         |

| Position Number | Total length |
|-----------------|--------------|
| 16              | 2661         |
| 17              | 2814         |
| 18              | 2967         |
| 19              | 3120         |
| 20              | 3273         |

| Position Number | Total length |
|-----------------|--------------|
| 21              | 3426         |
| 22              | 3579         |
| 23              | 3732         |
| 24              | 3885         |

When ordering: 1st. Specify the total length. Minimum 366 mm, maximum 3885 mm  
 2nd. Specify the required position number(s) for docking-station(s).  
 Maximum amount of docking-stations: 16  
 3rd. Specify the required position number(s) for segment-unit(s).  
 Maximum amount of segment-units: 16  
 If not specified: segment-unit at each docking-station.